

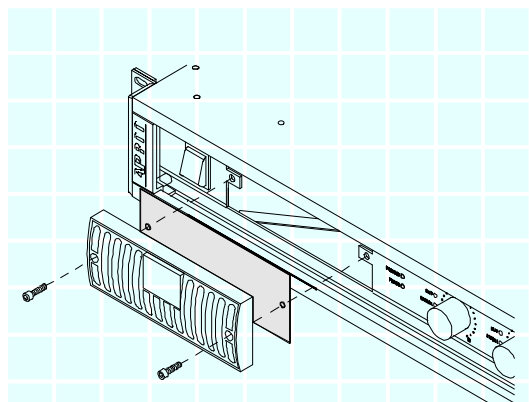


- **Selectable Impedance**
400 Watts (x2) @ 4 Ohms
400 Watts (x2) @ 2 Ohms
- **Neutrik Speakon™ and Binding Post Outputs**
- **Front-to-back Cooling**
- **Switchable Limiter and HP Filter**
- **Rack-mountable - 2U**
- **Balanced XLR and ¼" TRS Inputs**
- **Channel Activity and Clip/Limit LED Indicators**

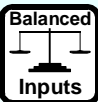
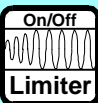
The **AP-800** is the first in a new generation of Audiopro power amplifiers. Building on the success of the current Audiopro line, the **AP-800** incorporates features designed for the future. Visual updates offer more than just good looks. Cool, clean air is supplied to the amplifier via fan-assisted front-to-back venting. A user-serviceable filter is incorporated into the front mounted air intake grille, ensuring long-term reliability.

Front panel power, protect, activity and clip LED's are bright and easy to see and all knobs and handles are recessed for safe, easy transportation. The back panel features Speakon™ and binding post outputs as well as balanced XLR & ¼" TRS inputs. The limiter, subsonic filter, mono/stereo/bridge mode

and ground lift switches are mounted on the back panel. The unique Audiopro impedance mode switch, also located on the back panel, allows the user to select full output power into two or four ohms.



The AP-800 cooling system incorporates a user serviceable air filter, ensuring long-term reliability.



United States

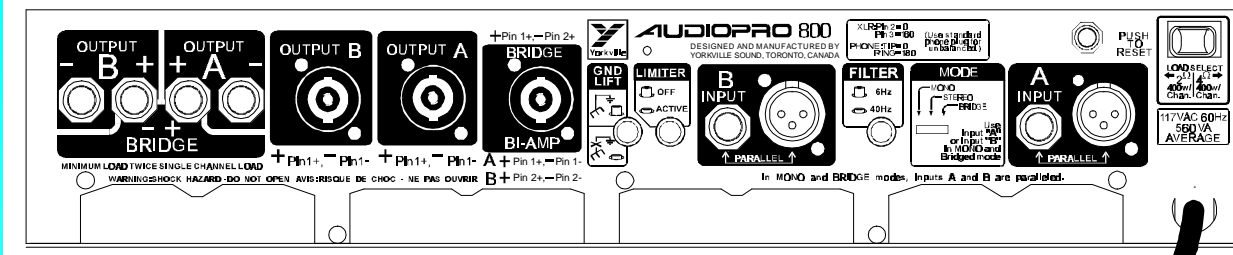
Yorkville Sound Inc.
4625 Witmer Industrial Est.
Niagara Falls, NY 14305
TEL: (716) 297-2920
FAX: (716) 297-3689



Canada

Yorkville Sound
550 Granite Court
Pickering, Ontario, L1W 3Y8
TEL: (905) 837-8481
FAX: (905) 839-5776

AP-800 Rear panel view.



| | Mode A (2 Ohms Min) | Mode B (4 Ohms Min) |
|--|---------------------------------------|---------------------|
| Continuous Average Power (Both channels driven - 1kHz) | | |
| watts @ 8 Ohms: | 160 (x2) | 250 (x2) |
| watts @ 4 Ohms: | 260 (x2) | 400 (x2) |
| watts @ 2 Ohms: | 400 (x2) | N/A |
| watts bridged: | 800 @ 4 Ohms | 800 @ 8 Ohms |
| Burst Average Power (Both channels driven - 1kHz) | | |
| watts @ 8 Ohms: | 200 (x2) | 320 (x2) |
| watts @ 4 Ohms: | 360 (x2) | 560 (x2) |
| watts @ 2 Ohms: | 600 (x2) | N/A |
| watts bridged: | 1200 @ 4 Ohms | 1100 @ 8 Ohms |
| Frequency Response (±1dB): | 10 Hz - 30 kHz | |
| Hum & Noise (Unweighted): | -101 dB | |
| THD (1 kHz, 4 Ohms): | <0.01% | |
| THD (20-20 kHz, 4 Ohms): | <0.2% | |
| Slew Rate (V/μs): | 20 (40 Bridged) | |
| Damping Factor (20-400 Hz @ 8 Ohms): | >300 | |
| Crosstalk (1 kHz / 20-20 kHz): | -80dB / -75dB | |
| Input Impedance (Bal/UnBal): | 22k / 12k | |
| Input Sensitivity (VRMS Sine): | 1.4V (400W/4 Ohms) | |
| CMRR @ 60 Hz (Min/Typ): | 54dB / 66dB | |
| MAX Voltage Gain: | 29dB | |
| Stereo or Mono: | Stereo/Mono | |
| Turn On/Off (mW.Sec): | <15 | |
| Power Consumption (Typ/Max): | 560w / 1440w | |
| Protection: | DC, Load, Thermal | |
| Cooling: | Variable speed DC fan (Front to Back) | |
| Input Connectors: | XLR / 1/4" Phone (TRS) | |
| Output Connectors: | Binding Post / Speakon SP-4 (x3) | |
| Rack Spaces: | 2 | |
| Transformer Type: | Toroidal | |
| Weight (lb/kg): | 41.8 / 19 | |
| Dimensions (in.-DWH): | 16.75 x 19 x 3.5 | |
| Dimensions (cm-DWH): | 43 x 48 x 9 | |

AVAILABLE AT: